

NOVAFLOW&SOLID

EDUCATIONAL SOLUTIONS

NOVACAST



PROJECT LICENSE

NovaCast is happy to offer a one-user license of NovaFlow&Solid including NovaStress for specific studies or projects within casting simulation for a limited time.

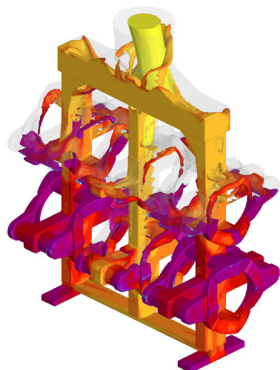
The offer

NovaCast gives you a chance to use one of the greatest casting simulation systems on the market, NovaFlow&Solid, including NovaStress. You will also have the opportunity to be involved in developing the foundry systems of tomorrow and receive valuable feedback and support from experts.

A project license is active for a maximum of 6 months, strictly non-commercial and comes with a pinch of the original cost of a regular license.

NovaCast's expectations

At NovaCast, we believe in the future of foundry industry and will happily support all actions in making the industry more sustainable. Investing in coming generations is therefore really important to us. To be a part of the change, NovaCast is requesting access to reports, technical articles and project thesis' to use for research and marketing purposes. We also strongly value feedback for the overall experience from the user of the project license. This is of utmost essence for us in order to continue contributing to a more responsible foundry industry.



CLASS LICENSE

We are proud to offer our casting simulation system NovaFlow&Solid to a class or group of students.

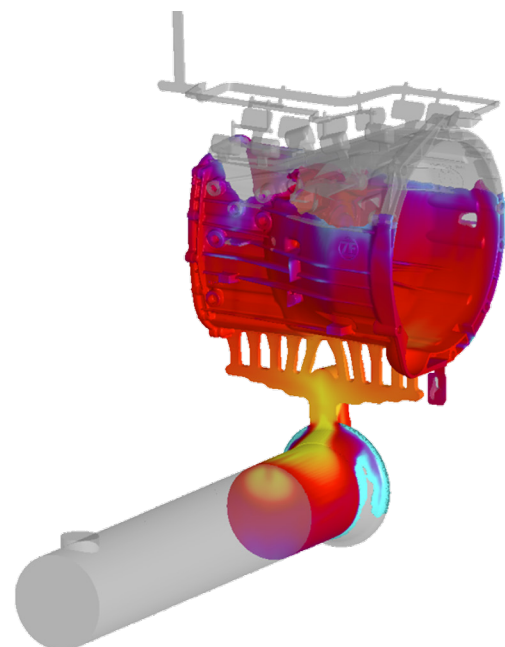
The offer

NovaCast offers a class license for faculty members or professors to use for educational purposes. The license can be used by the whole class with intentions of making trial and errors while simulating castings using the full technical functionalities of NovaFlow&Solid.

A class license is valid for a maximum of 3 years (including upgrades), strictly non-commercial and comes with a pinch of the original cost of a regular license. The license has limited saving options and a maximum of 1 million mesh elements available.

Extra options

Software is limited in the use of external 3D geometries but upon request from a university employee (not students), NovaCast will generate cvg files up to 5 times per year.



NovaCast Systems AB
Soft Center
372 25 Ronneby, Sweden
Tel: +46 457 465 800
info@novacast.se
novacast.se